

Thermoregulator - Positive temperature - 1M - full door

CABINETS MASS/GAB R290

PNC	MODEL	REF	PAGE	DESCRIPTION	NOTE/ BRAND
110354	ZRX71FRCG	h	4,7,8,9,10	1-DR REFR 670L 0/+6°C,DIGITAL (R290) UK	Zanussi
110355	ZRX71GRCG	i	6,7,9	1-GL.DR REF 670L +2/+10°,DIGITAL(R290)UK	Zanussi
110356	ZRX72HRCG	l	5,7,8,9,10	2x½-DR REF 670L 0/+6°C,DIGITAL (R290)UK	Zanussi
110366	ZR471FRCG	m	4,7,8,9,10	1-DR REF.670L 0/+6°C,DIGITAL,S/S(R290)UK	Zanussi
110367	ZR471GRCG	n	6,7,9	1-GL.DR REF.670L +2/+10°C,DIG,S/S(R290)UK	Zanussi
110368	ZR472HRCG	o	5,7,8,9,10	2x½-DR REFR. 670L 0/+6°C,DIG,S/S(R290)UK	Zanussi
110377	ZRX71FRH	p	4,7,8,9,10	1-DOOR REFR 670L -2/+10°C,DIG (R290)	Zanussi
110874	ZRX71FRH	n1	4,7,8,9,10	1-DOOR REFRIGERATOR 670L -2/+10°C,DIGITAL WITH LIGHT-R290	Zanussi
110932	ZR471FRCG	m	4,7,8,9,10	1-DOOR REFRIGERATOR+WHEELS 670L 0+6°C, DIGITAL,S/S, R290 - UK	Zanussi
110933	ZR472HRCG	o	5,7,8,9,10	2x½-DOOR REFRIGERATOR+WHEELS 670L 0+6°C, DIGITAL, S/S, R290 - UK	Zanussi
110941	ZRX71FRH	p	4,7,8,9,10	1-DOOR REFRIGERATOR 670L -2+10°C, DIGITAL, A304 - R290	Zanussi
110973	ZRX71FRH	n1	4,7,8,9,10	1-DOOR REFRIGERATOR 670L -2+10°C, DIGITAL WITH LIGHT, A304 - R290	Zanussi
190699	REX71FRH	e1	4,7,8,9,10	1-DOOR REFR 670L -2/+10°C,DIG (R290)	EPR
725164	REX71FRHW	q1	4,7,8,9,10	REFRIGERATED CABINET, 670L, 1 DOOR, -2/+10°C,,DIGITAL, R290, ON WHEELS, GEWISS PLUG - CREMONINI	EPR
725171	REX71FRHW	p1	4,8,10	1-DOOR REFRIG 670L -2/+10°C,DIGITAL + WHEELS 881002	EPR
725180	REX71FRHW	o1	4,7,9	1-DOOR REFR 670L WITH WHEELS, -2/+10°C,DIG (R290)	EPR
725229	REX71G0M	r1	6,7,9	1-GLASS DOOR REF. 670L +2/+10°C DIG. A304 - R290 - MARINE 50HZ	EPR
725259	REX71FRHW	q1	4,7,8,9,10	1-DOOR REFRIGERATOR 670L+WHEELS -2+10°C, DIGITAL, A304, R290, GEWISS PLUG - CREMONINI	EPR
725260	REX71FRHW	p1	4,8,10	1-DOOR REFRIGERATOR 670L+WHEELS (881002) -2+10°C, DIGITAL, A304 - R290	EPR
725286	RE471FRCG	b	4,7,8,9,10	1-DOOR REFRIGERATOR 670L 0+6°C, DIGITAL, S/S, R290 -UK	EPR
725287	RE472HRCG	f	5,7,8,9,10	2x½-DOOR REFRIGERATOR 670L 0+6°C, DIGITAL, S/S, R290-UK	EPR
725317	REX71FRSS	g	4,7,8,9,10	1-DOOR REFRIGERATOR 670L -2+10°C, DIGITAL, FULL A304 - R290	EPR
725321	REX71FRH	g	4,7,8,9,10	1-DOOR REFRIGERATOR 670L -2+10°C, DIGITAL, A304 - R290	EPR
725354	RE471FRCGL	g1	4,7,8,9,10	1-DOOR REFRIGERATOR 670L 0+6°C, DIGITAL, S/S, R290-UK-LEFT HINGED	EPR
725387	REX71GRCG	j	6,7,9	1-GLASS DOOR REFRIGERATOR 670L +2+10°C, DIGITAL, A304-R290-UK	EPR
725389	RE471GRCG	k	6,7,9	1-GLASS DOOR REFRIGERATOR 670L +2+10°C, DIGITAL, S/S-R290-UK	EPR
725391	REX71FRH	n1	4,7,8,9,10	1-DOOR REFRIGERATOR 670L -2+10°C, DIGITAL WITH LIGHT, A304 - R290	EPR
725450	REX71FRH	n1	4,7,8,9,10	1-DOOR REFRIGERATOR 670L -2+10°C, DIGITAL WITH LIGHT, A304, 4 GRIDS - R290	EPR

Note: per la corretta identificazione dei componenti, attenersi esclusivamente alle pagine indicate e alla lettera di riferimento.

Note: for the correct identification of the components, follow the indicated pages and the reference letter.

Rev. 12	Pag. 4,5,6	Index	Indice
	7,8	Cabinet and door	Armadio e porta
	9,10	Cooling unit assembly	Gruppo refrigerante
	11-16	Control panel	Pannello comandi
		Spare parts list	Lista ricambi

Thermoregulator - Positive temperature - 1M - full door

CABINETS MASS/GAB R290

PNC	MODEL	REF	PAGE	DESCRIPTION	NOTE/ BRAND
725452	REX71FRH	g	4,7,8,9,10	1-DOOR REFRIGERATOR 670L -2/+10°C, DIGITAL, A304, 4 GRIDS - R290	EPR
725494	REX71FRHL	g	4,7,8,9,10	1-DOOR REFRIGERATOR 670L -2/+10°C, DIGITAL, LEFT HINGED-A304 - R290	EPR
727393	REX71FRCG	a	4,7,8,9,10	1-DR REFR 670L 0/+6°C,DIGITAL (R290) UK	EPR
727394	REX71GRCG	c	6,7,9	1-GL.DR REF 670L +2/+10°,DIGITAL(R290)UK	EPR
727395	REX72HRCG	e	5,7,8,9,10	2x½-DR REF 670L 0/+6°C,DIGITAL (R290)UK	EPR
727405	RE471FRCG	b	4,7,8,9,10	1-DR REF.670L 0/+6°C,DIGITAL,S/S(R290)UK	EPR
727406	RE471GRCG	d	6,7,9	1-GL.DR REF.670L +2/+10°C,DIG,S/S(R290)UK	EPR
727407	RE472HRCG	f	5,7,8,9,10	2x½-DR REFR. 670L 0/+6°C,DIG,S/S(R290)UK	EPR
727464	REX71FRH	g	4,7,8,9,10	1-DOOR REFR 670L -2/+10°C,DIG (R290)	EPR
727773	RE471FRCGL	g1	4,7,8,9,10	1-DOOR REF.670L 0/+6°C,DIGITAL,S/S (R290) UK-LEFT HINGED	EPR
727959	REX71GRCG	j	6,7,9	1-GLASS DOOR REFRIG 670L +2/+10°, DIGITAL-R290-UK	EPR
727961	RE471GRCG	k	6,7,9	1-GLASS DOOR REFRIG 670L +2/+10°C, DIGITAL, S/S-R290-UK	EPR
727992	REX71FRH	n1	4,7,8,9,10	1-DOOR REFR. 670L -2/+10°C,DIGITAL WITH LIGHT-R290	EPR
728944	ARX71FRHW	f1	4,7,8,9,10	1-DOOR REFR 670L -2/+10°C,DIG (R290)+WHEELS	Alpen
729095	ARX71FRCG	q	4,7,8,9,10	1-DR REFR 670L 0/+6°C,DIGITAL (R290) UK	Alpen
729096	ARX71GRCG	r	6,7,9	1-GL.DR REF 670L +2/+10°,DIGITAL(R290)UK	Alpen
729097	ARX72HRCG	s	5,7,8,9,10	2x½-DR REF 670L 0/+6°C,DIGITAL (R290)UK	Alpen
729107	AR471FRCG	t	4,7,8,9,10	1-DR REF.670L 0/+6°C,DIGITAL,S/S(R290)UK	Alpen
729108	AR471GRCG	u	6,7,9	1-GL.DR REF.670L +2/+10°C,DIG,S/S(R290)UK	Alpen
729109	AR472HRCG	v	5,7,8,9,10	2x½-DR REFR. 670L 0/+6°C,DIG,S/S(R290)UK	Alpen
729118	ARX71FRH	w	4,7,8,9,10	1-DOOR REFR 670L -2/+10°C,DIG (R290)	Alpen
729314	NRX71FRCG	x	4,7,8,9,10	1-DR REFR 670L 0/+6°C,DIGITAL (R290) UK	To brand
729315	NRX71GRCG	y	6,7,9	1-GL.DR REF 670L +2/+10°,DIGITAL(R290)UK	To brand
729316	NRX72HRCG	z	5,7,8,9,10	2x½-DR REF 670L 0/+6°C,DIGITAL (R290)UK	To brand
729324	BR471FRCG	a1	4,7,8,9,10	1-DR REF.670L 0/+6°C,DIGITAL,S/S(R290)UK	Blizzard Prof.
729325	NR471GRCG	b1	6,7,9	1-GL.DR REF.670L +2/+10°C,DIG,S/S(R290)UK	To brand
729326	BR472HRCG	c1	5,7,8,9,10	2x½-DR REFR. 670L 0/+6°C,DIG,S/S(R290)UK	Blizzard Prof.
729334	NRX71FRH	d1	4,7,8,9,10	1-DOOR REFR 670L -2/+10°C,DIG (R290)	To brand
729521	ARX71FRH	n1	4,7,8,9,10	1-DOOR REFRIGERATOR 670L -2/+10°C,DIGITAL WITH LIGHT-R290	Alpen
729634	ARX71FRHW	f1	4,7,8,9,10	1-DOOR REFRIGERATOR+WHEELS 670L -2/+10°C,DIGITAL, A304 - R290	Alpen
729641	AR471FRCG	t	4,7,8,9,10	1-DOOR REFRIGERATOR+WHEELS 670L 0/+6°C, DIGITAL, S/S, R290 - UK	Alpen

Note: per la corretta identificazione dei componenti, attenersi esclusivamente alle pagine indicate e alla lettera di riferimento.

Note: for the correct identification of the components, follow the indicated pages and the reference letter.

Rev. 12	Pag. 4,5,6	Index	Indice
	7,8	Cabinet and door	Armadio e porta
	9,10	Cooling unit assembly	Gruppo refrigerante
	11-16	Control panel	Pannello comandi
		Spare parts list	Lista ricambi

Thermoregulator - Positive temperature - 1M - full door

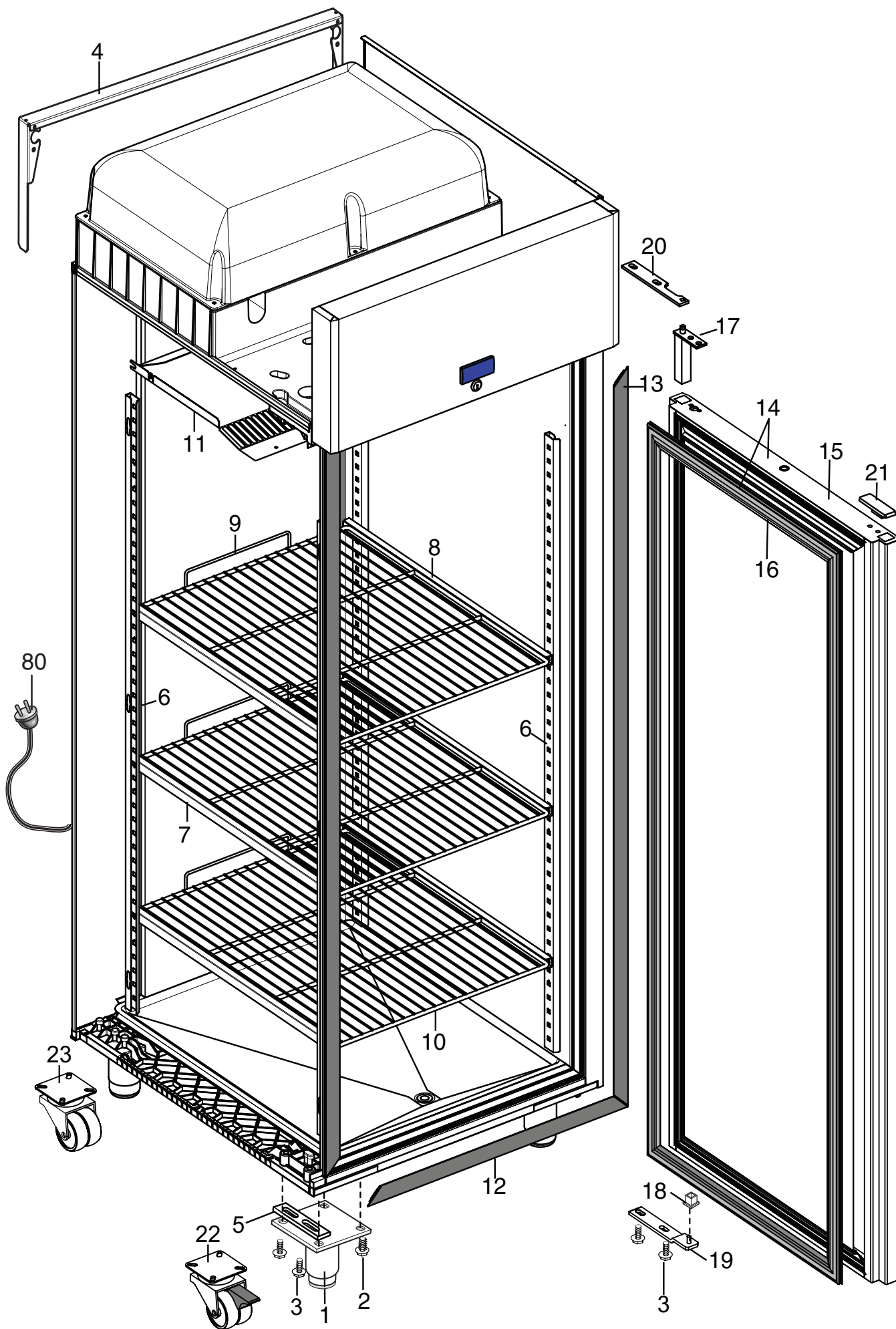
CABINETS MASS/GAB R290

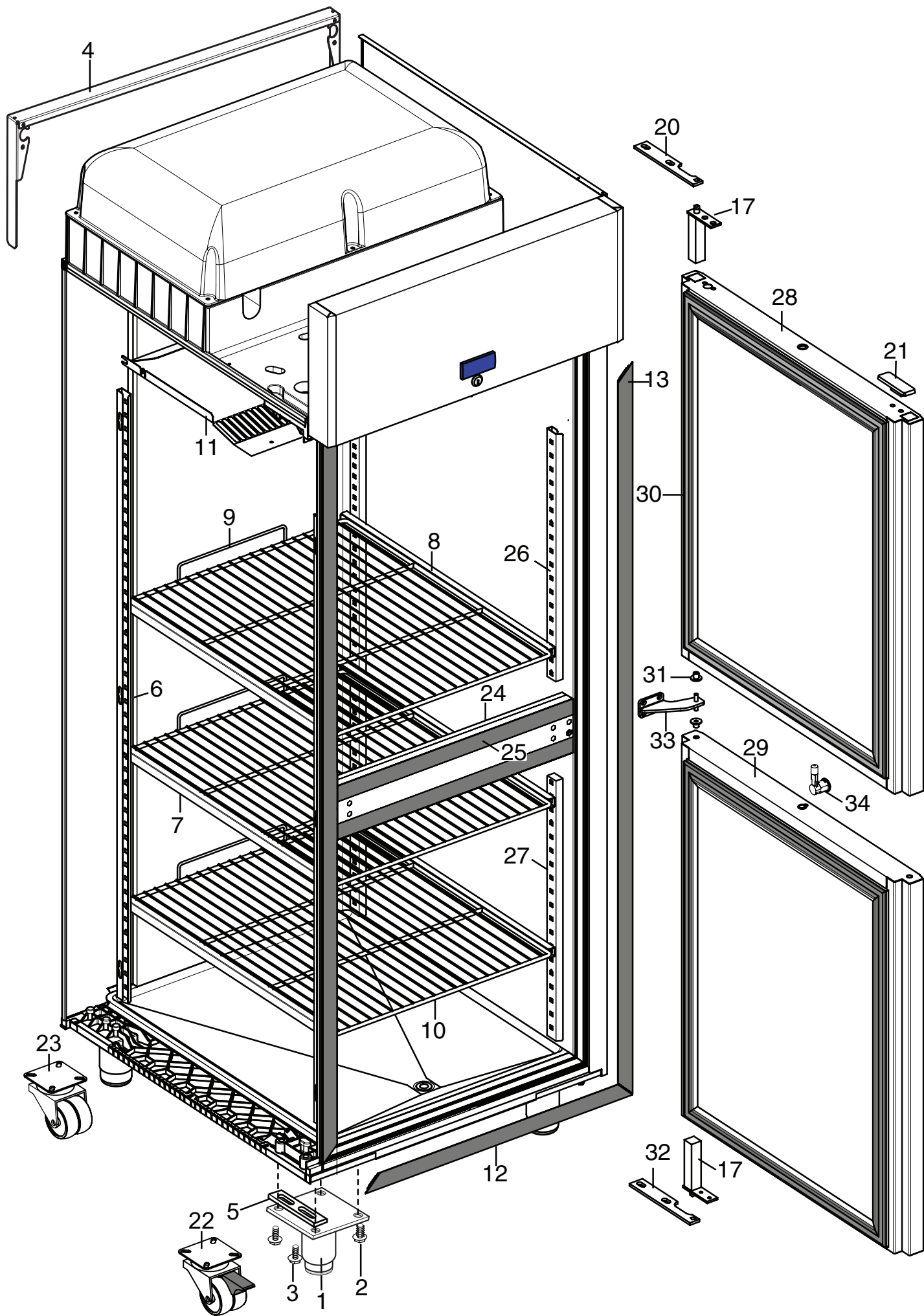
PNC	MODEL	REF	PAGE	DESCRIPTION	NOTE/ BRAND
729642	AR472HRCG	v	5,7,8,9,10	2x½-DOOR REFRIGERATOR+WHEELS 670L 0+6°C, DIGITAL, S/S, R290 - UK	Alpen
729649	ARX71FRH	w	4,7,8,9,10	1-DOOR REFRIGERATOR 670L -2+10°C, DIGITAL, A304 - R290	Alpen
729667	ARX71FRH	n1	4,7,8,9,10	1-DOOR REFRIGERATOR 670L -2+10°C, DIGITAL WITH LIGHT, A304 - R290	Alpen
190AAX	RE471GRCG	h1	6,7,9	1-GL.DR REF.670L +2+10°C,DIG,S/S(R290)UK	EPR
190B2C	ZRX71FRH	m1	4,7,8,9,10	1-DOOR REFR 670L -2/+10°C,DIG (R290)	Zanussi
190EIY	REX71FRH	t1	4,7,8,9,10	1-D REFRIGERATOR 670L -2+10°C, DIGITAL,	EPR
190EOB	ZRX71FRH	s1	4,7,8,9,10	1-DOOR REFRIGERATOR 670L -2+10°C, DIGITA	Zanussi
190ET8	REX71FRH	v1	4,7,8,9,10	1-DOOR REFRIGERATOR 670L -2+10°C, DIGITAL, A304 - R290	EPR
190EUI	REX71G0M	j1	6,7,9	1-GLASS DOOR REFRIGERATOR 670L +2/+10°C	EPR
190EKH	REX71FRH	k1	4,7,8,9,10	1-DOOR REFRIGERATOR 670L -2+10°C, DIGITAL, A304 - R290	EPR
190EKV	RE471FRCG	u1	4,7,8,9,10	1-DOOR REFRIG 670L-6 +6°C, S/S, R290 -UK	EPR
190GUM	RE471FRCG	w1	4,7,8,9,10	1-DOOR REFRIG 670L-6 +6°C, S/S, R290 -UK	EPR

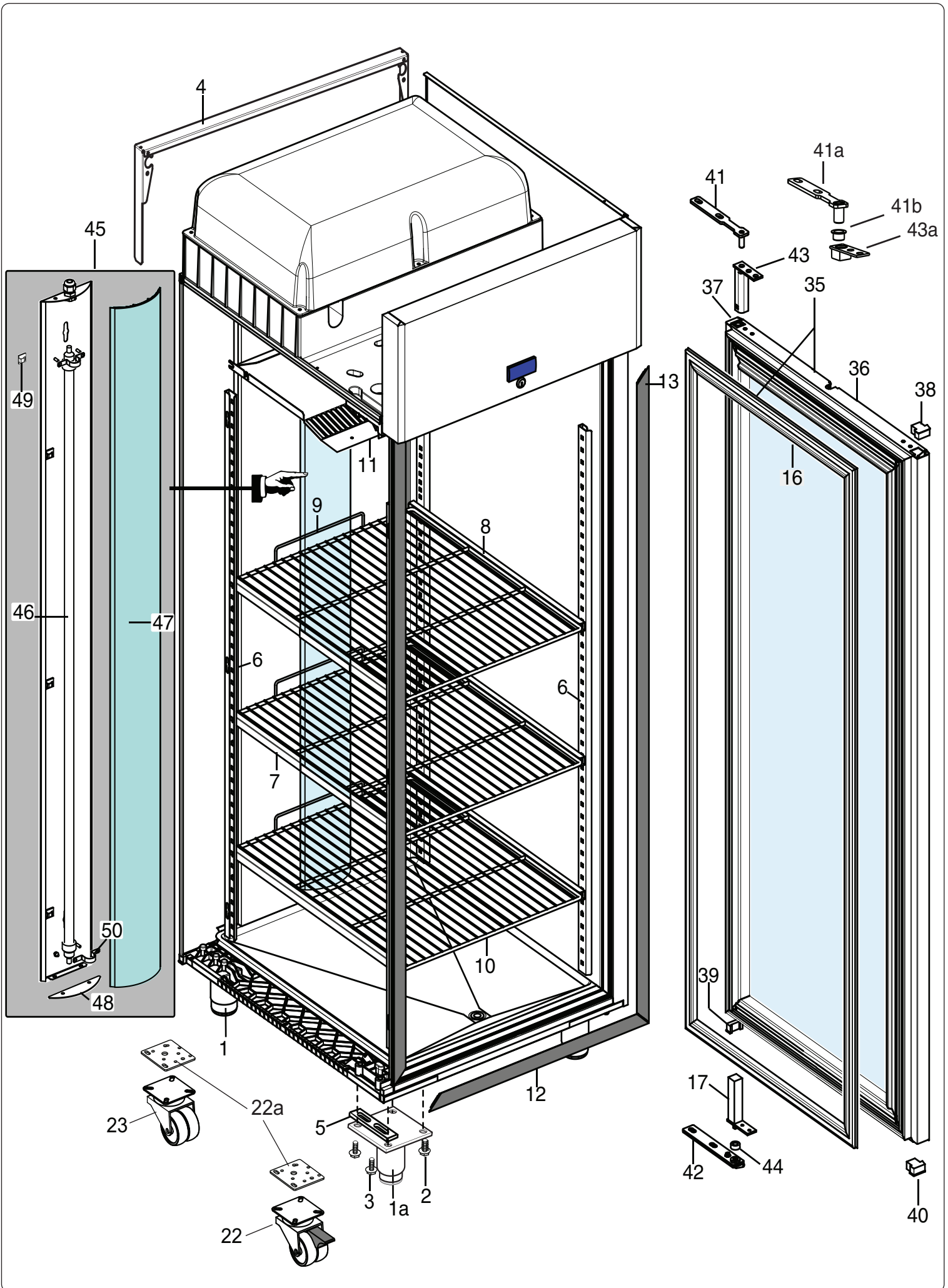
Note: per la corretta identificazione dei componenti, attenersi esclusivamente alle pagine indicate e alla lettera di riferimento.

Note: for the correct identification of the components, follow the indicated pages and the reference letter.

Rev. 12	Pag.	Index	Indice
	4,5,6	Cabinet and door	Armadio e porta
	7,8	Cooling unit assembly	Gruppo refrigerante
	9,10	Control panel	Pannello comandi
	11-16	Spare parts list	Lista ricambi

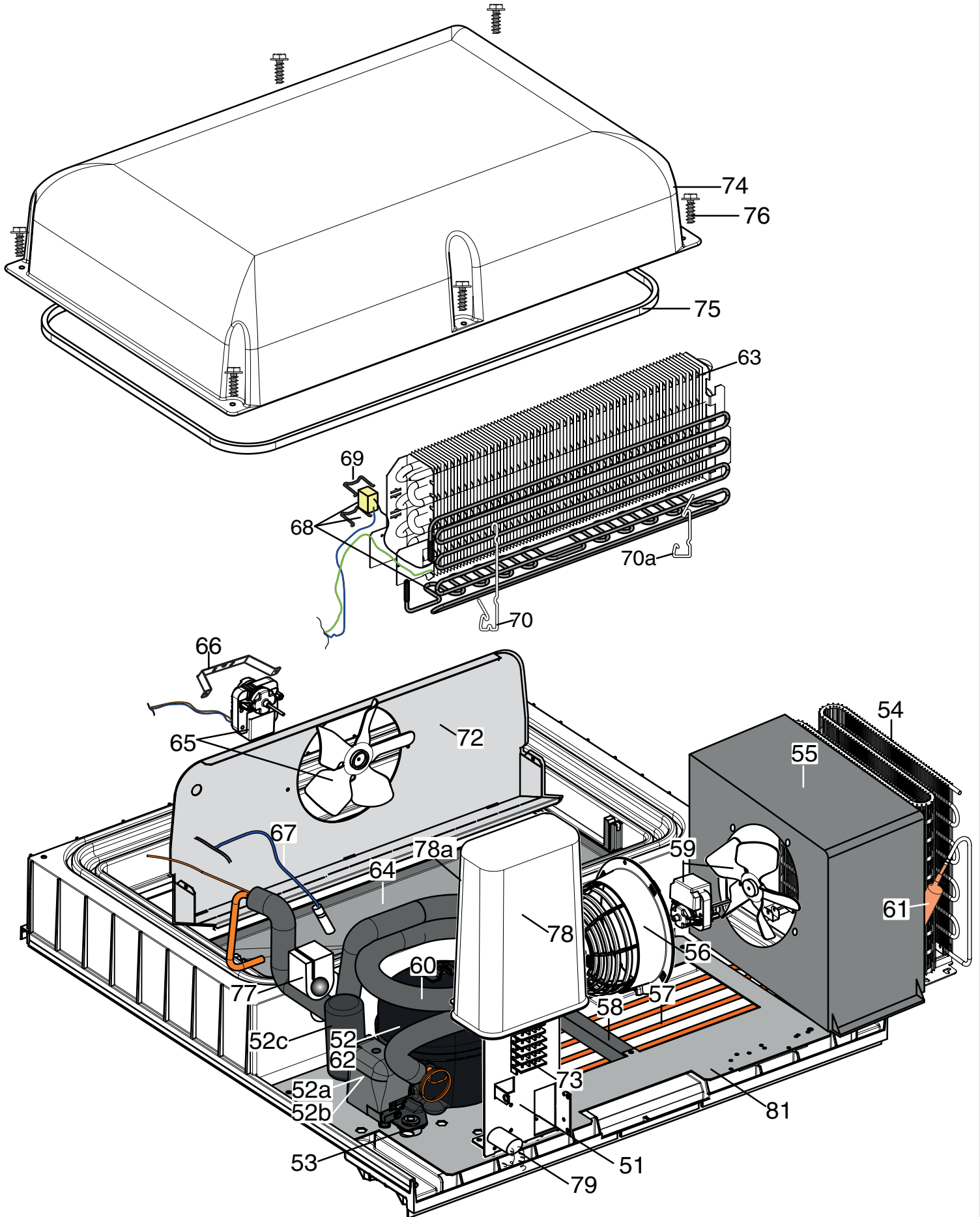




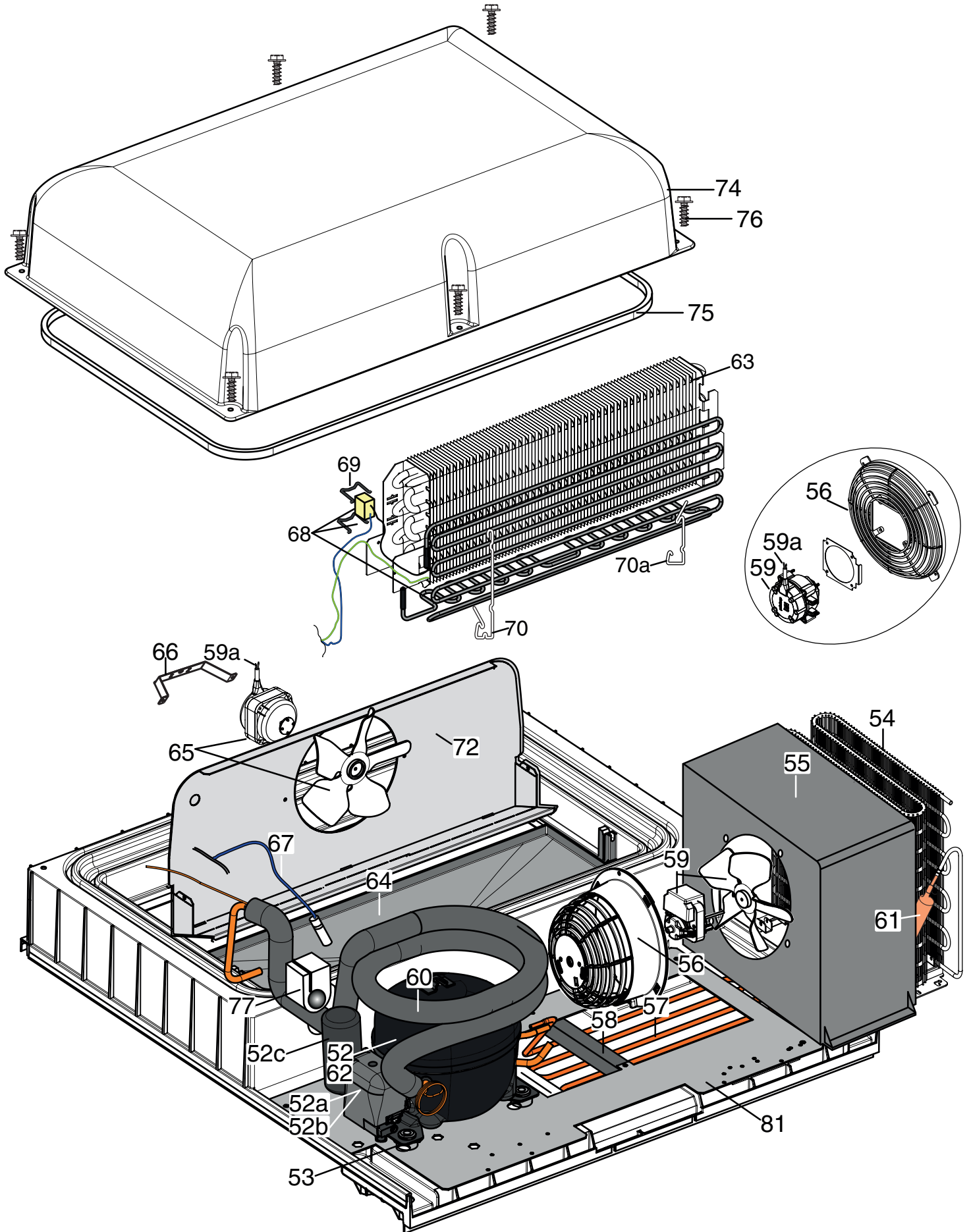


COOLING UNIT ASSEMBLY

UP TO WK 37/2021 FOR FULL DOOR AND ALWAYS FOR GLASS DOOR

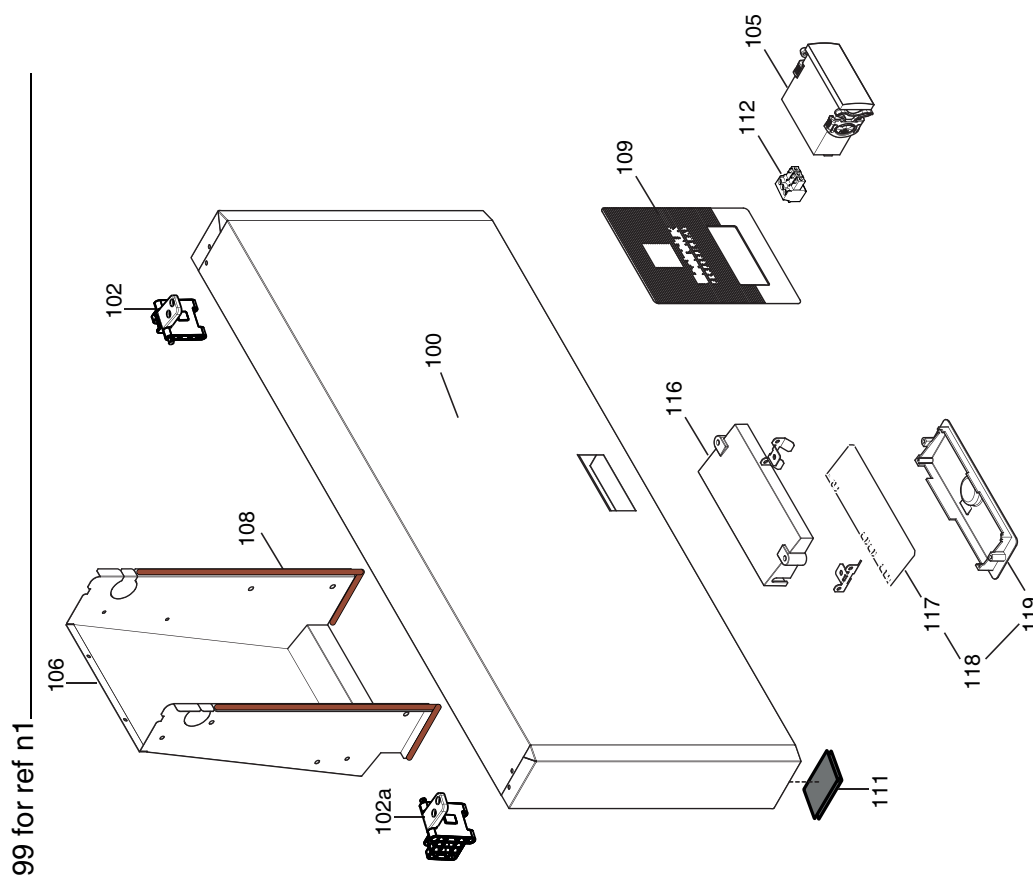


COOLING UNIT ASSEMBLY FROM WK 38/2021 FOR FULL DOOR

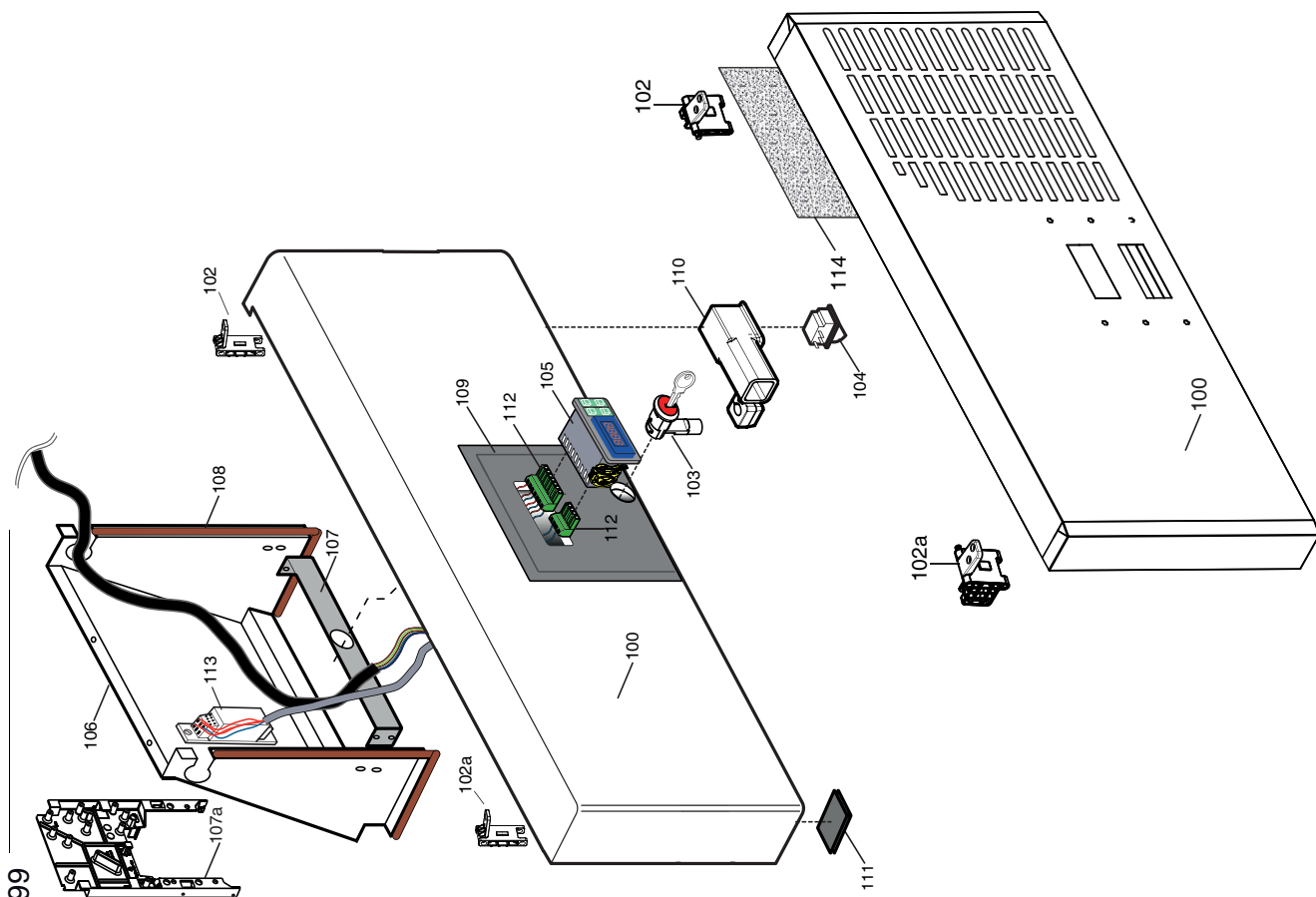


CONTROL PANEL

UP TO WK 37/2021 FOR FULL DOOR AND ALWAYS FOR GLASS DOOR

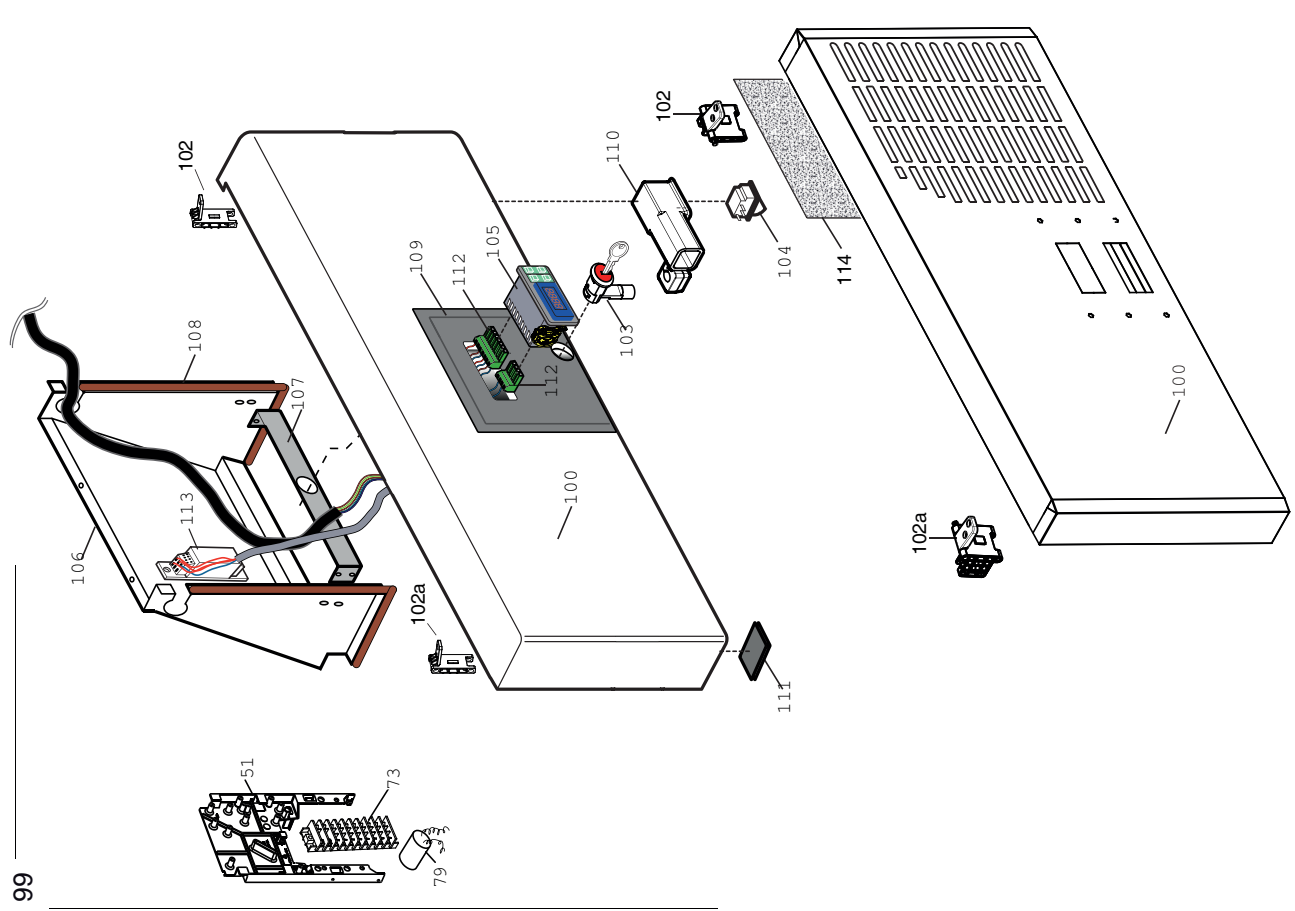
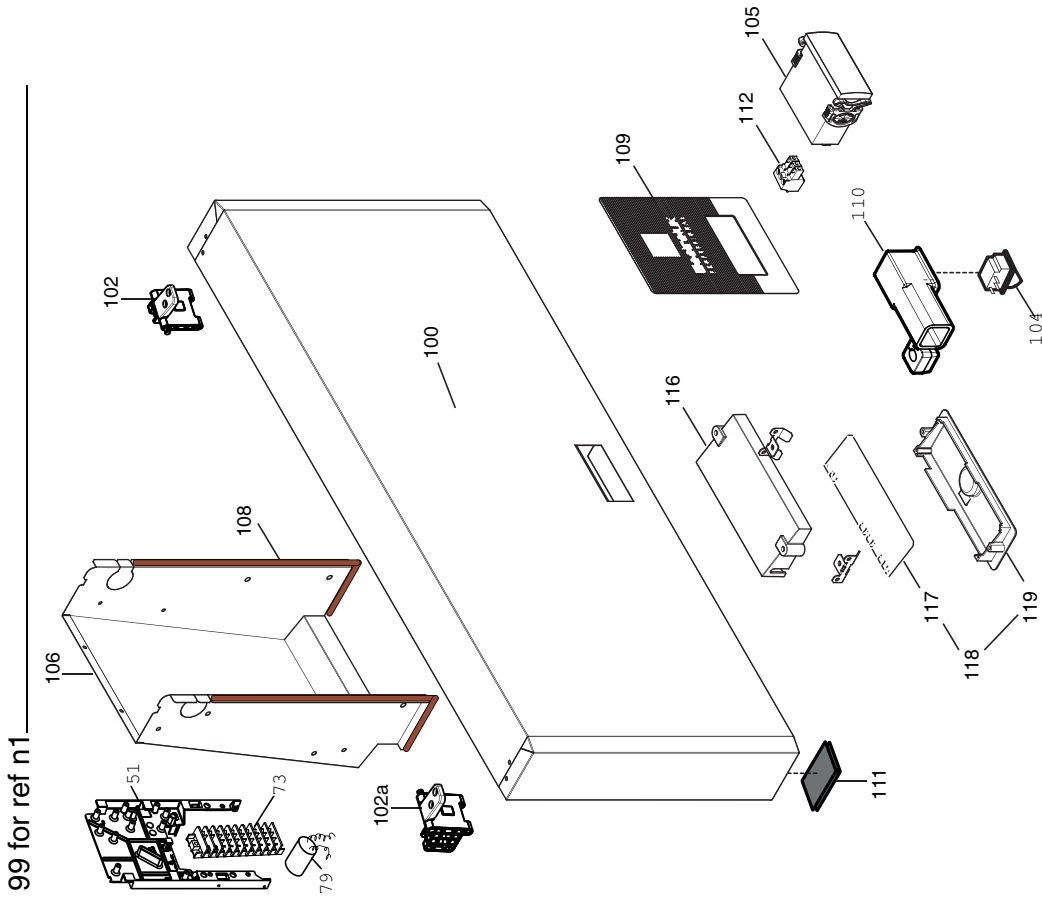


99 for ref n1



99

CONTROL PANEL FROM WK 38/2021 FOR FULL DOOR



REFRIGERATORS

Pos	Factory Code	Code	Descrizione	Description	Ref/notes
1	541R05001	093243	Piedino	Foot	g,p,w,d1,h1, k1,m1, s1,t1,v1,w1
1	518R03900	094098	Piedino Marine	Marine Foot	j1,r1
1a	518R02600	093244	Piedino anteriore porta vetro	Back foot glass door	h1
2	217555204	093245	Vite per plastica per piedino	Screw (use by fix foot)	
3	518708601	093246	Vite M8x20 per fiss. staffa sup/inf	Screw M8X20 (use by fix bracket)	
4	502R17400	093247	Staffa supporto fianchi	Side support (upper)	
5	546R22800	093248	Distanziale per piede	Foot spacer	
6	501R38201	093249	Cremaagliera	Rack	
6	501R36201	093355	Cremaagliera	Rack	u1,w1
7	501R47900	093250	Guida Sx	Left support	
7	501R48000	093358	Guida Sx	Left support	u1,w1
7	501R63900	095061	Guida Sx Marine	Marine Left support	j1,r1
8	501R48100	093251	Guida Dx	Right support	
8	501R64000	095062	Guida Dx Marine	Marine Right support	j1,r1
8	501R48200	093359	Guida Dx	Right support	u1,w1
9	514R10600	093252	Griglia 2/1	Grid 2/1	
10	514R12200	093253	Griglia di fondo	Bottom grid	
11	875R37401	*	Assieme carter interno	Internal protection assembly	
12	832R09001	093254	Cornice orizzontale	Horizontal frame	
13	832R09101	093255	Cornice verticale	Vertical frame	a,b,c,d,g,h,i,j,k,m,n, p,q,r,t,u,w,x,y,a1, b1,d1,e1,g1,h1,j1,k1, m1,o1,q1,r1,s1,t1, u1,v1,w1
13	832R09300	093256	Cornice verticale	Vertical frame	e,f,l,s,z
14	835R27008	093289	Porta con guarnizione aisi 304	Gasket and door	a,h,o,q,v,x,c1,f1
14	835R27108	093290	Porta con guarnizione aisi 430	Gasket and door	b,m,t,a1,g1,u1,w1
14	835R75700		Porta con guarnizione A304 con luce	Gasket and door with light	n1
15	835R27407	093581	Porta aisi 304	Door	a,g,h,p,q,w,x,d1, e1,k1,m1,o1,q1,s1, t1,v1
15	835R27507	096028	Porta aisi 430	Door	b,m,t,a1,g1,u1,w1
15	835R75600		Porta aisi 304	Door	n1
16	548R06802	093257	Guarnizione porta vetro	Gasket glass door	a,b,g up to 2013/49 Full door
16	548R08000	094152	Guarnizione porta cieca/pv LED	Gasket full door and LED glass door	a,b,g,h,j,k,m,p,- q,t,w,x,a1,d1,e1,f1, g1,j1,k1,m1,n1,o1, p1,q1,s1,t1,u1,w1 from 2013/50 Full door
16	548R06802	093257	Guarnizione porta vetro	Gasket glass door	c,d,i,n,r,u,y,b1,h1 up to 2019/26 Glass door
16	548R08000	094152	Guarnizione porta cieca/pv LED	Gasket full door and LED glass door	r1 from 2019/27 Glass door
16	548R06802	093257	Guarnizione porta vetro	Gasket glass door	glass door
16	548R08000	094152	Guarnizione porta cieca/pv LED	Gasket full door and LED glass door	full door and j,k
17	835704001	082219	Cerniera porta	Hinge door	
18	544700601	081654	Boccola per porta	Door bush	
19	833R21600	093341	Staffa inferiore porta	Lower stirrup door	

REFRIGERATORS

Pos	Factory Code	Code	Descrizione	Description	Ref/notes
20	505723802	082257	Staffa superiore porta	Upper stirrup door	
21	541R05301	093271	Tappo per cerniere	Hole hinge plug	
22	835R24900	093575	Ruota rotante con freno	Brake weel	a,b,c,d,e,f,h,i,j,k,l,m, n,o,q,r,s,t,u,v,x,y, z,a1,b1,c1,g1,u1
22	835739900	087110	Ruota rotante con freno	Brake weel	e1,f1,o1,p1,q1
22a	504R17300	096411	Piastra di sostegno	Support plate for wheels	j,k
23	835R24800	093574	Ruota rotante	Weel	a,b,c,d,e,f,h,i,j,k,l,m, n,o,q,r,s,t,u,v,x,y, z,a1,b1,c1,g1,u1
23	835740000	087111	Ruota rotante	Weel	e1,f1,o1,p1,q1
24	880R64100	093342	Traversa per 1/2 porte a304	Support half door a304	e,l,s,z
24	880R64200	093343	Traversa per 1/2 porte a430	Support half door a430	f,o,v,c1
25	543R09900	093272	Cornice per traversa	Support half door frame	
26	501R51800	093275	Cremagliera ant. 1/2 porte superiore	Upper rack 1/2 doors	
27	501R51600	093276	Cremagliera ant. 1/2 porte	Lower rack 1/2 doors	
28	835R25410	093585	Ass.1/2 porta superiore a304	Upper half door a304	e,f,l,s,z
28	835R27909	093586	Ass.1/2 porta superiore a430	Upper half door a430	o,v,c1
29	835R25509	093519	Ass.1/2 porta inferiore a304	Lower half door a304	e,f,l,s,z
29	835R27808	093520	Ass.1/2 porta inferiore a430	Lower half door a430	o,v,c1
30	548R08101	094153	Guarnizione magnetica 1/2 porte	Half door gasket	
31	546R21100	093392	Boccola per cerniera 1/2 porte	Half door bush	
32	833R21900	093301	Ass. cerniera inferiore	Lower hinge assembly	
33	505R12400	093344	Cerniera centrale	Central hinge door	
34	833R21100	093433	Serratura	Serratura	
35	880R57001	093736	Ass. porta vetro	Glass door assembly	
35	883R01401	*	Ass. porta vetro LED	LED Glass door assembly	j,k,j1,r1
36	879R15600	093274	Porta vetro	Glass door	
36	879R36600	096173	Porta vetro LED	LED Glass door	j,k,j1,r1
37	546R22400	093535	Tappo sup. dx pv	Upper right plug door GL	
38	546R22300	093536	Tappo sup. sx pv	Upper left plug door GL	
39	546R22500	093537	Tappo inf. dx pv	Lower right plug door GL	
40	546R22200	093538	Tappo inf. sx pv	Lower left plug door GL	
41	505R12700	093349	Cerniera superiore pv	Upper hinge GL	
41a	505R21900	096180	Cerniera superiore pv LED	Upper hinge GL LED	j,k,j1,r1
41b	546R35300	096182	Boccola GFM-16-18-16	Bush GFM-16-18-16	j,k,j1,r1
42	833R21900	093301	Ass. staffa inf.(reversibile) pv	Lower bracket (reversible)	
43	835R28100	093320	Ass cerniera sup pv	Upper hinge GL	
43a	505R22000	096181	Ass cerniera sup pv LED	Upper hinge GL LED	j,k,r1
44	546R23100	093517	Boccola per cerniera PV	Hinge bush GL	
45	880R60700	093303	Ass. porta lampada completo	Light support assembly	c, d up to 2471
45	835R26801	094484	Ass. porta lampada completo	Light support assembly	c,d,i,n,r,u,y, b1,h1 from 2481...
46	661R01000	093350	Lampada 28W	Neon 28W	c,d,i,n,r,u,y,b1,h1
47	546R22600	093258	Frontale lampada	Protection light	c,d,i,n,r,u,y,b1,h1
48	501R49500	093351	Tappo chiusura luce	Plug of clousure	c,d,i,n,r,u,y,b1,h1
49	546R23200	093352	Ferma cavo	Wiring stopper	c,d,i,n,r,u,y,b1,h1
50	501R50200	093321	Fermo lampada	Stopper light	c,d,i,n,r,u,y,b1,h1
51	502R24300*	Supporto impianto elettrico	Electrical wiring support	All except for p1 up to 2021/37

REFRIGERATORS					
Pos	Factory Code	Code	Descrizione	Description	Ref/notes
51	502R24300*	Supporto impianto elettrico	Electrical wiring support	j,k,r1 from 2021/38
51	546R43401	097284	Supporto impianto elettrico	Electrical wiring support	b,f,g,m,o,p,t,v,w, a1,c1,f1,g1,m1, n1,q1,t1,u1,v1,w1 from 2021/38
52	684R05700	093425	Compressore (EMT6144U)220/50 hzR290	Compressor (EMT6144U)220/50hz R290	
52	684R16300	097593	Compressore EMBRACO EMX6144U CSIR 230V 50-60HZ	Compressor EMBRACO EMX6144U CSIR 230V 50-60HZ	
52a	*	*	Relè avviamento	Start relay	
52b	*	*	Protettore	Protector	
52c	*	*	Condensatore di avviamento	Start capacitor	
53	518708401	087122	kit fissaggio compressore	Compressor fixing compressor	
54	830R06500	093346	Condensatore a fili 4R	Wiring Condenser	
55	546R24100	093601	Convogliatore condensatore	Condenser conveyor	
55	546R24200	093602	Convogliatore condensatore	Condenser conveyor	u1,w1
56	546R24301	093603	Griglia motore condensatore	Fan condenser grid	
56	546709500	089755	Griglia motore condensatore	Fan condenser grid	u1,w1
57	515R12700	093259	Serpentina evap. acqua di condensa	Evaporation water pipe	
58	543R09300	093260	Fissaggio serpentina	Stopper pipe	
59	682R05600	093322	Ventilatore condensatore	Condenser ventilator	
59	682R14200	096995	Ventilatore condensatore	Condenser ventilator	u1,w1
59a	635R37900	097055	Cablaggio ventilatore	Fan wiring	
60	858R06900	096488	Scambiatore	Heat exchanger	
61	858R00100	099949	Filtro	Dehydrator filter	
62	A02021800	0A8171	Valvola per compressore	Compressor valve (charge or disch.)	
63	830R03902	093323	Evaporatore 2R 8T	Evaporator 2R 8T	a,c,e,g,h,i,j,k,l,p,q,r, s,w,x,y,z,d1,e1,j1,k1, m1,n1,o1,q1,r1,s1,t1 u1,v1,w1
63	830R04202	093324	Evaporatore 2R - 4T	Evaporator 2r	b,d,f,m,n,t,u,a1,b1, g1,h1
64	546R19201	093469	Vaschetta evaporatore	Evaporator tray	
65	682R05701	093325	Ventilatore evaporatore (fime)	Evaporator fan (fime)	
65	0682R12600	096231	Ventilatore evaporatore (EBM)	Evaporator fan (EBM)	u1,w1
66	501R45101	093326	Staffa motore evaporatore	Fan evaporator support	
67	646R06700	092173	Sonda cella	Cell probe	
68	617R06101	093327	Resistenza con termostati 2R	Heating element with thermostat	g,p,w,d1,e1,m1 up to 2021/37
68	617R25400	097286	Resistenza con termostati 2R	Heating element with thermostat	g,p,w,f1,k1,m1, n1,p1,q1, s1,t1,u1,v1,w1 from 2021/38
69	514R11601	093487	Molla per fissaggio termostati	Thermostat spring	g,p,w,d1,e1,k1,m1, o1,q1,s1,t1,v1
70	514R10800	093368	Molla per fissaggio resistenza 2R	Heating element spring 2R	g,p,w,d1,e1,j1,k1, m1,o1,q1,s1,t1,v1
70a	514R12000	093353	Molla per fissaggio resistenza 83,5	Heating element spring 83,5	g,p,w,d1,e1,k1,m1, o1,q1,s1,t1,v1
72	501R44001	093294	Convogliatore evaporatore	Evaporator conveyor	
73	639R09900	093528	Morsettiera	Clamp	All except for n1
73	856R31501		Morsettiera	Clamp	n1 up to 2022/41

REFRIGERATORS

Pos	Factory Code	Code	Descrizione	Description	Ref/notes
73	855R0AJ00		Morsettiera	Clamp	n1 from 2022/42
74	835R24101	093261	Assieme Calotta	Evaporator cover	Up to 6181
74	835R47601	095201	Assieme Calotta	Evaporator cover	From 6191
*	881R32401	095200	Modulo Calotta TN	Evaporator cover Module TN	
*	546R34400	095202	Staffa per calotta schiumata	Support for foamed Evaporator	
75	14701R003	093262	Neoprene espanso 8x13,3 nero (M4)	Gasket cover (neoprene 8x13,3)	
76	217555204	093245	Vite senza punta x plastica	Cover screw	
77	546R19702	093263	Tamponcino per tubi	Pipe cover insulation	
78	546R26501	094425	Copertura scatola impianto elettrico	Wiring box cover	Not for p1
78a	546R26701	093976	Scatola impianto elettrico	Wiring box	Not for p1
79	694R00502	096636	Filtro antidisturbo	Electrical filter	
80	635R32300	095750	Cavo di alimentazione	Power supply cable	g,p,w,d1,f1,h1,j1, o1,r1,w1
80	634702901	097082	Cavo di alimentazione GEWISS	Power supply cable GEWISS	e1,q1
80	635R35600	09A1PA	Cavo di alimentazione UK	Power supply cable UK	f,k1,s1,t1,u1,v1
81	546R26800	094451	Basamento gruppo	Basement	
99	880R50107		Cruscotto completo aisi 304	Panel control complete aisi 304	e,g,l,p,s,w,z,d1,e1, k1,m1,o1,s1,v1
99	880R50704	093306	Cruscotto completo aisi 430	Panel control complete aisi 430	f,o,v,c1 up to 2021/37
99	880R56607	*	Cruscotto completo	Panel control complete aisi	a,h,q,x
99	880R56707	*	Cruscotto completo	Panel control complete aisi	b,m,t,a1,g1 up to 2021/37
99	880R58507	094538	Cruscotto completo aisi 304 PV	Panel control complete aisi 304	c,i,r,y
99	880R58607	*	Cruscotto completo aisi 430 PV	Panel control complete aisi 430	d,n,u,b1,h1
99	883R79800	*	Cruscotto completo aisi 304 PV LED	Panel control complete aisi 304 LED	j
99	883R80300	*	Cruscotto completo aisi 430 PV LED	Panel control complete aisi 430 LED	k
99	883R27401	*	Cruscotto completo aisi 304 with light	Panel control complete 304 con luce	n1 up to 2021/37
99	883R78601		Cruscotto completo aisi 304 with light	Panel control complete 304 con luce	n1 from 2021/38
99	883R78904	09A1LL	Cruscotto completo aisi 304 SHUKO	Panel control complete aisi 304 SHUKO	g,p,w,f1,p1
99	883R79104		Cruscotto completo aisi 430 TN spina UK	Panel control complete aisi 430 TN UK plug	b,f,m,o,t,v,a1,c1,g1, m1,u1 from 2021/38
99	883R81100		Cruscotto completo aisi 304 GEWISS	Panel control complete aisi 304 GEWISS	q1
99	883R84500		Crusc. completo A304 PV LED tn marine	Control panel A304 PV LED tn marine	j1,r1
99	883R87800		Cruscotto completo aisi 304 UK	Panel control complete aisi 304 UK	s1,v1
99	883R80703		Cruscotto completo aisi 304 UK	Panel control complete aisi 304 UK	k1,t1
99	883R80005	09A1LO	Cruscotto completo aisi 430 TN spina SHUKO	Panel control complete aisi 430 TN SHUKO plug	w1
100	509R12604	093265	Cruscotto comandi	Panel 304 AISI	a,c,e,g,h,i,l,p,q, r,s,w,x,y,z,d1, e1,k1,m1,o1,s1,t1,v1
100	509R12703	093266	Cruscotto comandi	Panel 430 AISI	b,d,f up to 3291
100	509R12704	094007	Cruscotto comandi	Panel 430 AISI	b,d,f,m,n,o,t,u,v,a1, b1,c1,g1,h1,u1,w1 from 3301
100	509R24600	096184	Cruscotto comandi	Panel 304 AISI	j up to 2021/37
100	509R24601	097272	Cruscotto comandi	Panel 304 AISI	g,j,p,w,f1,k1,m1, p1,q1,s1,t1,v1 From 2021/38

REFRIGERATORS

Pos	Factory Code	Code	Descrizione	Description	Ref/notes
100	509R24700	096185	Cruscotto comandi	Panel 430 AISI	k up to 2021/37
100	509R24701	097273	Cruscotto comandi	Panel 430 AISI	b,f,k,m,o,t,v,a1,c1,g1,u1,w1 from 2021/38
100	509R24200	*	Cruscotto comandi	Panel 304 AISI	n1 up to 2021/37
100	509R24201	*	Cruscotto comandi	Panel 304 AISI	n1 from 2021/38 Up to 2022/41
100	509R26800	*	Cruscotto comandi	Panel 304 AISI	n1 from 2022/42
100	509R26600		Cruscotto comandi aisi 304 MARINE	Panel 304 AISI MARINE	j1,r1
102	832R10100	093609	Cerniera per cruscotto dx	Hinge for panel	
102a	832R10200	093610	Cerniera per cruscotto sx	Hinge for panel	
103	833R20900	093345	Serratura	Lock	
103	833R21100	093433	Serratura	Lock	n1
104	640712100	087485	Micro porta	Switch	j,k,j1,r1
104	640R02100	094035	Micro porta	Switch	Always except for n1
104	640R02100	094035	Micro porta	Switch	For n1 from 2022/42
105	646R10803	093532	Termoregolatore ir33 IMEL1J0545 pc	Thermoregulator IMEL1J0545	To be set - a,b,e,f,g,g1,o1,q1 Up to 2022/41 Order KIT 097586 See TB VTX2022_08
105	646R11000	093329	Termoregolatore ir33 Gab/mass pv	Thermoregulator Gab /mass	To be set - c,d Up to 2022/41 Order KIT 097586 See TB VTX2022_08
105	646R11101	093434	Termoregolatore ir33 IMEL1J0548	Thermoregulator IMEL1J0548	n1 up to 2022/48 Order KIT 097628 See TB VTX2023_02
105	855R18400	097579	Termoregolatore Carel IJF	Thermoregulator Carel IJF	From 2022/42 Up to 2024/19 Except for n1
105	855R18400	097579	Termoregolatore Carel IJF	Thermoregulator Carel IJF	n1 From 2022/49 Up to 2024/19
105	855R0BY00	09A1NM	Termoregolatore Carel IJF	Thermoregulator Carel IJF	From 2024/20
106	501R37403	094389	Protezione	Protection	j,k,n1 up to 2021/43
106	504R35000	097245	Protezione	Protection	j,k,n1,r1 from 2021/44 Up to 2022/41
106	546R26601	093975	Protezione	Protection	b,f,g,m,o,p,t,v,w,a1,c1,f1,g1,m1,o1,p1,q1 Up to 2022/41
106	504R39300	097576	Protezione	Protection	From 2022/42
107	501R37502	093354	Staffa per protezione	Support for protection	Up to 2022/17 for glass door
107	501R37502	093354	Staffa per protezione	Support for protection	Up to 2021/37 for full door
107	504R24400		Staffa per protezione	Support for protection	n1
107a	546R43401	097284	Supporto impianto elettrico	Electrical wiring support	Glass door from 2022/18
108	140088006	0L0113	Guarnizione	Gasket	
109	755R03901	093268	Membrana	Membrane	a,b,c,d,e,f,g up to 7381
109	598R81500	095022	Membrana Zanussi	Zanussi membrane	Zan prod from 7391

REFRIGERATORS					
Pos	Factory Code	Code	Descrizione	Description	Ref/notes
109	598R81601	095023	Membrana Electrolux	Electrolux membrane	Elux prod from 7391
109	598R81701	095024	Membrana neutra	Neutral membrane	Alpen prod from 7391
109	598R98503		Membrana Elux Prof con luce	Elux Prof with light membrane	n1 - Elux Prof Up to 2022/41
109	595R75500	097612	Membrana Elux Prof con luce	Elux Prof with light membrane	n1 - Elux Prof From 2022/42
109	598R99100		Membrana Zanussi	Zanussi membrane	n1 - Zanussi Up to 2022/41
109	595R75700	097614	Membrana Zanussi	Zanussi membrane	n1 - Zanussi From 2022/42
109	598R99200		Membrana Alpen	Alpen membrane	n1 - Alpen Up to 2022/41
109	595R75600	097613	Membrana Alpen	Alpen membrane	n1 - Alpen From 2022/42
109	598R95601		Membrana Blizzard Professional	Blizzard Professional membrane	a1,c1
109	598R98301	096577	Membrana Elux Prof	Elux Prof membrane	b,f,g,j,k,b1,j1,k1,p1,q1,r1,t1,u1,v1
109	598R98601	097058	Membrana Zanussi	Zanussi membrane	m,o,p,m1,s1
110	546R12100	092353	Protezione micro porta	Swiith door protection	Always except for n1
110	546R12100	092353	Protezione micro porta	Swiith door protection	For n1 from 2022/42
110	546R12100	092353	Protezione micro porta	Swiith door protection	k,j1,r1 from 2021/38
111	541R05401	093269	Tappo per cerniera porta	Door hinge plug	
112	639R06800	*	Connettore dritto 3 vie	Connector 3 ways right	
112	639R06900	*	Connettore dritto 7 vie	Connector 7 ways right	
112		099740	Connettore 90° 7 vie	Connector 7 ways 90°	
112		099741	Connettore 90° 5 vie	Connector 5 ways 90°	
112		088998	Connettore 90° 3 vie	Connector 3 ways 90°	
112		099743	Connettore 90° 3 vie piccolo	Connector 3 ways 90° small	
112		099742	Connettore 90° 2 vie	Connector 2 ways 90°	
112		091682	Connettore 90° 4 vie	Connector 4 ways 90°	
112		091684	Connettore 90° 5 vie	Connector 5 ways 90°	
112	639R04V00	097578	Connettore femmina 3 vie	Connector 3 ways female	From 2022/42
*	639R09600	093180	Convertitore spina UK	UK plug converter	
113	624R01400	093270	Alimentatore	Light power	Not for j,k,j1,n1,r1
113	648R11300	096179	Alimentatore	Light power	j,k up to 2021/37
113	648R11700	097052	Alimentatore	Light power	j,k,j1,r1 from 2021/38
114	546R52100	097592	Filtro cruscotto	Control panel filter	j1,r1
115	546R19501	093386	Supporto scheda led	Support led-lamp	n1
116	546R19600	093387	Protezione scheda led	Protection led-lamp	n1
117	648R05501		Scheda led depotenziata per termoregolatore IR33	Led-lamp board for thermoregulator IR33	n1 - Up to 2022/41
117	648R02J00		Scheda led depotenziata per termoregolatore IJF	Led-lamp board for thermoregulator IJF	n1 - From 2022/42
118	855R12701	093810	Led +supporto per termoregolatore IR33	Led-lamp + support for thermoregulator IR33	n1 - Up to 2022/41
118	855R0A000		Led +supporto per termoregolatore IJF	Led-lamp + support for thermoregulator IJF	n1 - From 2022/42
119	569R05900	093390	Guarnizione per scheda led	Ledlamp board gasket	n1